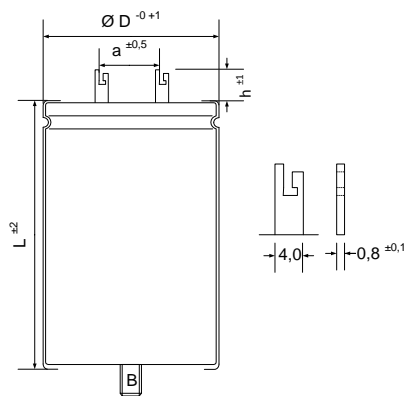


Drawing No. : 1029717  
 created: SBR 29/06/2016 12:22:00

Page 1 / 1

**Typ : LFBBI48010025035**

**RoHS Compliant**



$\varnothing D$ :	25 mm
L :	35 mm
a :	10 mm
h :	10 mm
B :	M 8 x 12
Terminals :	solder lug

**Electrical Parameters**

Rated Capacitance ( $C_R$ ) @ 100 Hz / 20 °C	<b>48</b> $\mu$ F	
Tolerance	<b>-10/ +30</b> %	
Rated Voltage ( $U_{RDC}$ )	<b><math>\pm 100</math></b> VDC	
Rated Voltage ( $U_{RAC}$ ) max. @ 50 Hz / 20°C	<b><math>\pm 42</math></b> VAC	
Leakage Current ( $I_L$ ) @ $U_R$ / 5 min / 20 °C	<b>28</b> $\mu$ A	
ESR typ. @ 100 Hz / 20°C	<b>3647</b> m $\Omega$	
Tan $\delta$ typ. @ 100 Hz / 20°C	<b>11</b> %	
Rated Ripple Current ( $I_R$ ) @ 100 Hz / 85 °C	<b>0,2</b> A	
Useful life @ $I_R, U_R, 85$ °C	<b>5000</b> h	
IEC Climatic category / Standards	<b>40/085/56</b>	<b>IEC 60384-4</b>
Applications		